

Spectrum  
Led Linear Lighting

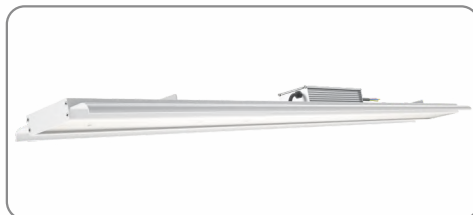


# Spectrum Led Linear Light

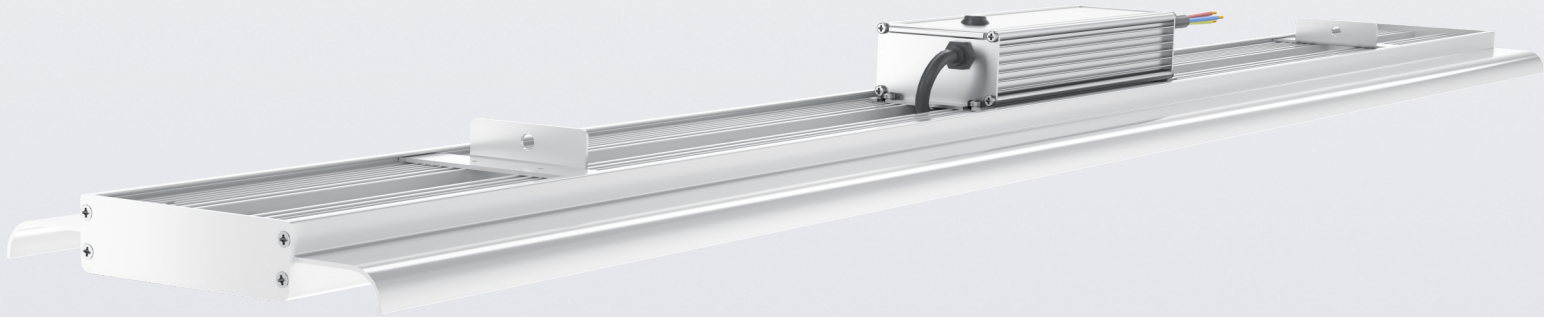


**Born  
for  
Warehouse**

“ Galaxy series linear high bay light is designed specially for warehouse. The rectangle shape light distribution saves 50% energy in comparison with standard highbay light which 50% of the light was wasted on the top of shelves ”



**Born**  
for  
**Warehouse**



Galaxy series linear high bay light is designed specially for warehouse. The rectangle shape light distribution saves 50% energy in comparison with standard highbay light which 50% of the light was wasted on the top of shelves



## Two Line Light Design

Special lens and PCB design are used for our Galaxy Linear high bay light. Those make the light perfect straight line which provides good appearance and lower glaring light distribution.

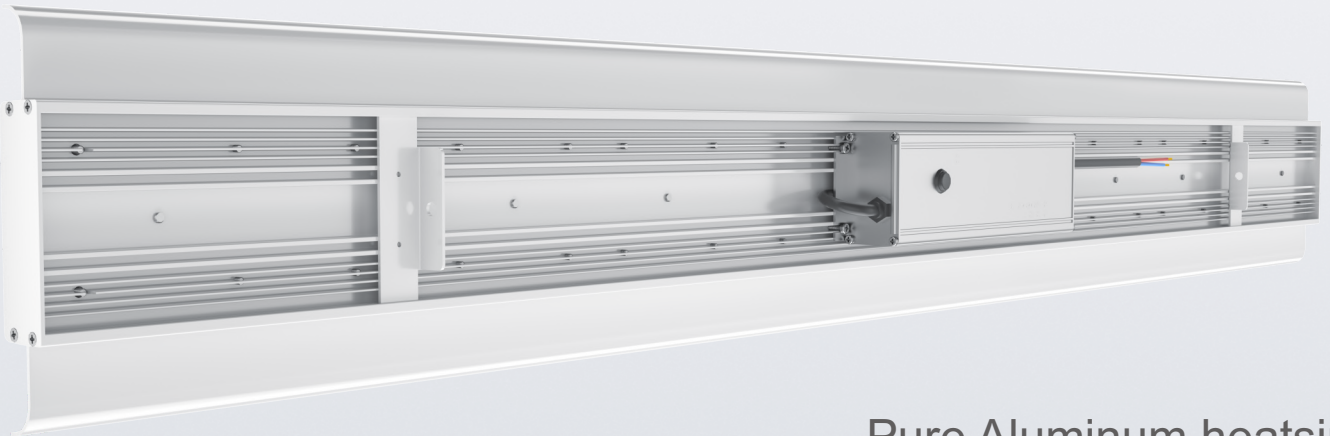


Spectrum  
Led Linear Light

**170**  
**LM/W**



Chip **CREE** ⇄ Driver **OSRAM**



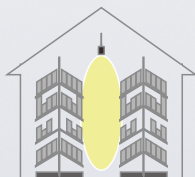
Pure Aluminum heatsink

### 3 beam angles for option

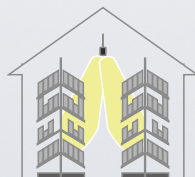
We provide 3 kinds of lens with different beam angles for option.  
To realize cost effective, suitable lens will be used for different project.



80x110°



30x90°

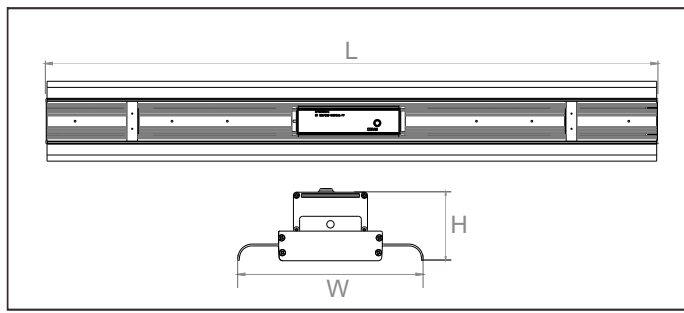


double sides  
25°



## Features

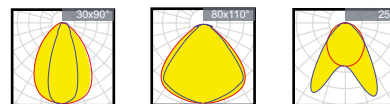
- Housing: Pure Aluminum A6063
- Thermal Conductivity: 226 W/m·K
- Led: Cree
- CRI: Ra>80 ( 90 for option)
- SDCM: <6
- Power Factor: >0.95
- THD: <15
- Driver: Osram
- Driver Efficiency: >93%
- Protection: OTP, OCP, OVP, SCP
- Surge Protection: 10KV
- Waterproof: IP54
- Impact Test: IK08
- Electrical: 220-240V, 50/60Hz
- Operating Temperature: -40~60°C
- Tm21: L90B10>50,000H
- Lifetime: 50,000H



## Functions

ZigBee · PWM · DALI · 0/1~10V · Micro-wave · PIR

## Optical options:

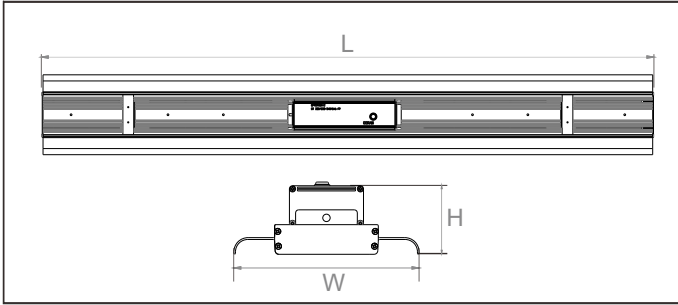


| Model        | Watt | Voltage  | Lumen   | CRI | IP   | Dimension          |
|--------------|------|----------|---------|-----|------|--------------------|
| HB100GE1J-CO | 100W | 220~240V | 17000LM | >80 | IP54 | L576*W150*H55.2MM  |
| HB150GE1J-CO | 150W | 220~240V | 25500LM | >80 | IP54 | L862*W150*H55.2MM  |
| HB200GE1J-CO | 200W | 220~240V | 34000LM | >80 | IP54 | L1148*W150*H55.2MM |
| HB240GE1J-CM | 240W | 100~277V | 40800LM | >80 | IP54 | L1434*W150*H55.2MM |

240W uses Meanwell driver

# Packing

## Spectrum Led Linear Light



| Model        | Dimension(mm) |     |      | Outer Carton(mm) |     |     | QTY / | NW/CTN | GW/CTN |
|--------------|---------------|-----|------|------------------|-----|-----|-------|--------|--------|
|              |               |     |      |                  |     |     | Outer |        |        |
| HB100GE1J-CO | 576           | 150 | 55.2 | 647              | 208 | 130 | 1     | 1.90   | 3.00   |
| HB150GE1J-CO | 862           | 150 | 55.2 | 930              | 208 | 130 | 1     | 2.50   | 3.80   |
| HB200GE1J-CO | 1148          | 150 | 55.2 | 1220             | 208 | 130 | 1     | 3.10   | 4.40   |
| HB240GE1J-CM | 1434          | 150 | 55.2 | 1510             | 208 | 130 | 1     | 3.70   | 5.10   |